

“tough tech for tough environments“

PA-R-340-7 servo-actuator

Pegasus

Actuators GmbH



data sheet - technical specifications

Supply data:

Operating voltage: 18 – 32 VDC
Operating voltage typical: 24 VDC
Standby current: 40mA

Input signal:

PWM signal, TTL level (standard)
PWM signal, differential (RS485 transceiver) (optional)
or RS485 data protocol (optional)

PWM parameter:

Frame rate: 2,6 - 1000ms
Valid pulse length: 1,0 - 2,0ms
left / center / right: 1,0ms - 1,5ms - 2,0ms

Position feedback:

analog, differential: 0-5V
Scale factor: 27.78 mV/deg.

Performance data:

Maximum torque: > 1800Ncm (> 2540 oz-in.)
Rated torque^{**}: 850Ncm (1200 oz-in.)
Speed at rated torque: 160°/sec @28 VDC, 140°/sec @24 VDC
No load speed: 200°/sec @24 VDC, 240°/sec @28 VDC
Gear train backlash: < 0,5°
Travel angle: ± 90° (-5%)
Maximum Travel angle (optional): ± 170° (-5%)
Slip clutch lock out momentum: >1800Ncm (2540 oz-in.) +20%
Peak current - short time: 6,5A
Stall current - continuous: 1,5A (limited)
Minimum detectable signal step: max 0,25µsec. (adjustable)
Weight: 750g (26,5 oz)

^{**}according to specifications of Pegasus Actuators GmbH

Environmental data:

Axial load on output shaft < 100N
Operating temperature: -40°C - +70°C (-40°F - +158°F)
Storage temperature: -40°C - +80°C (-40°F - +176°F)

Environmental specifications:

Vibration test: IEC 68-2-6 / EN 60068-2-6
Shock test: IEC 68-2-32
Protection class: IP67



“tough tech for tough environments“

PA-R-340-7 servo-actuator



data sheet - technical specifications

Main components:

Case:

IP67 water and dust protected with solid vertical and horizontal 4-point fixation.
material: CNC machined aluminum, bead blasted and anodized.

Gear train:

hardened steel, spur gear type, 8 ball races or roller bearings with PA-SC overload protection output shaft.

Motor:

Neodym-magnet BLDC motor, double ball raced.

Amplifier:

digital positioning controller

Sensor travel angle:

mechanical: 360° (no end stops)
electrical - (standard): $\pm 90^\circ$
electrical - (optional): $\pm 160^\circ$

Actuator connector:

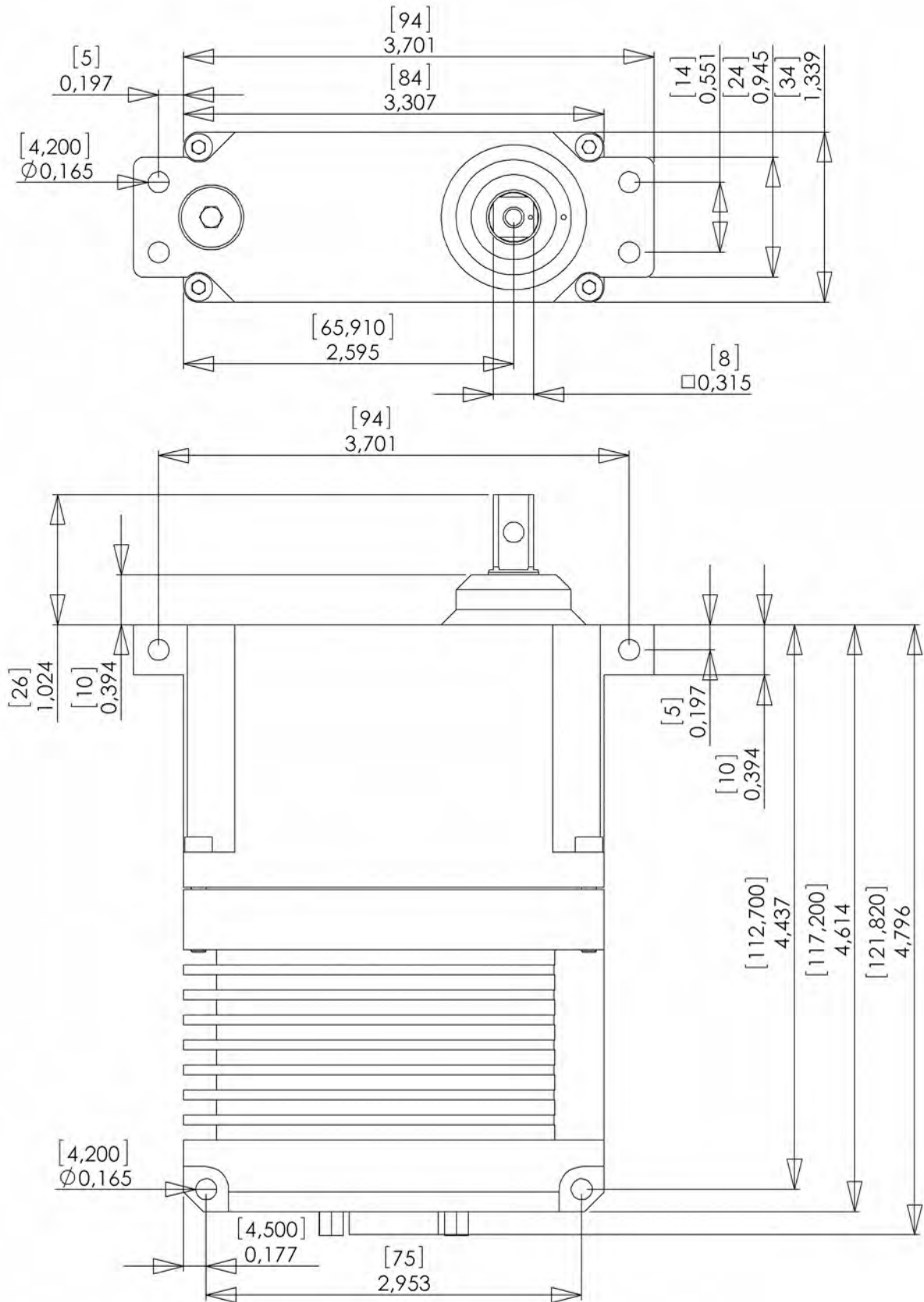
D -Sub male, 9-pin, IP 67

Applicable documents:

- user manual
- RS485 data protocol documentation
- cable and pin assignment documentation
- endurance test specification
- vibration and environmental test specification

“tough tech for tough environments“

PA-R-340-7 servo-actuator



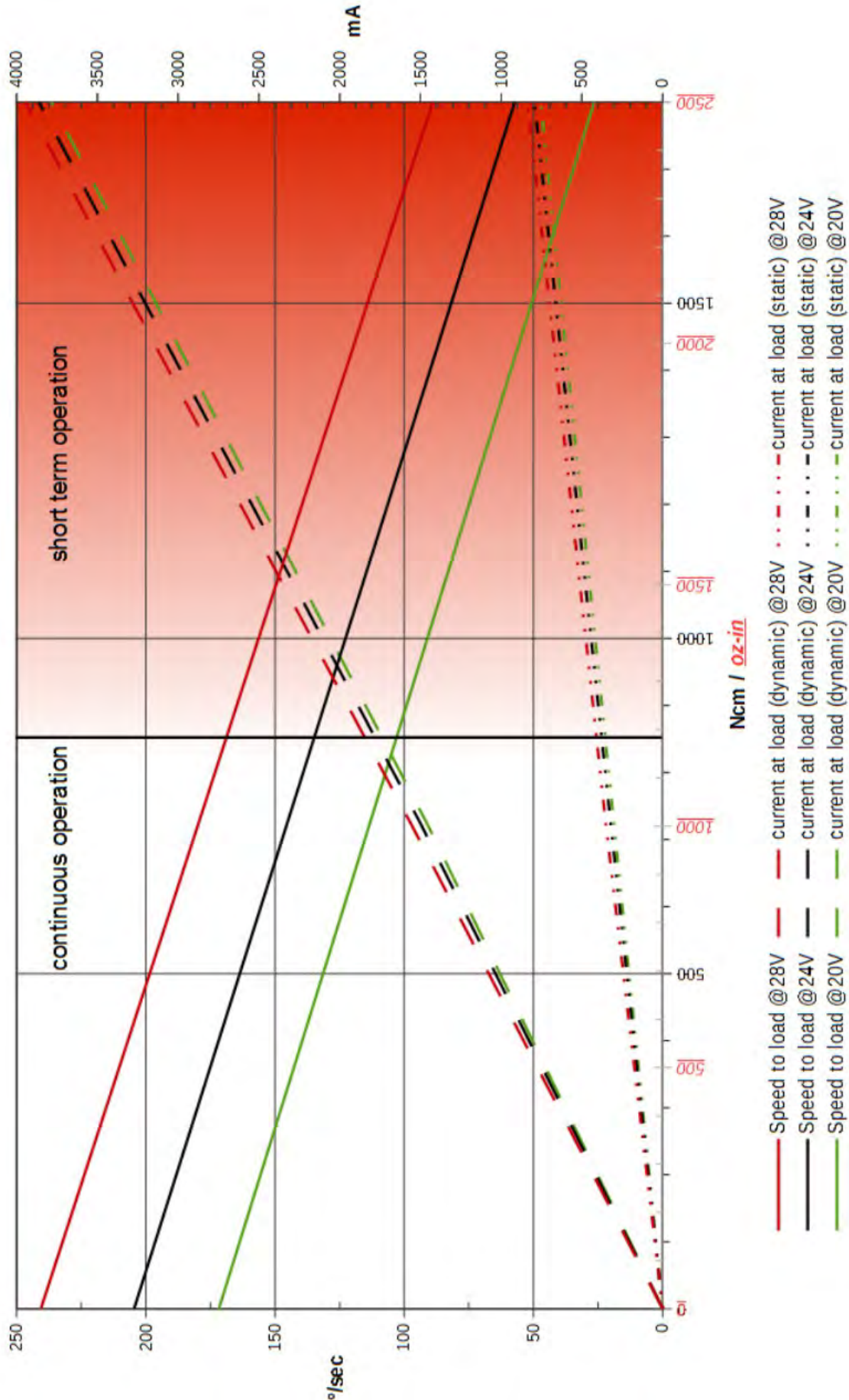
• dimensions are in: [mm]
inch

“tough tech for tough environments“

PA-R-340-7 servo-actuator

Pegasus

Actuators GmbH



! The overload protection limits the performance of the actuator during overload conditions. !