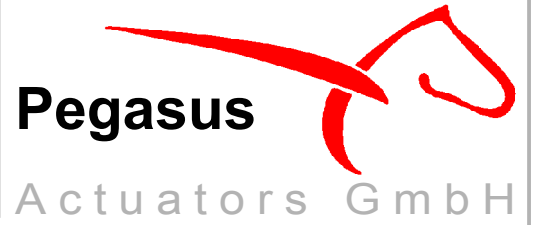


“tough tech for tough environments“

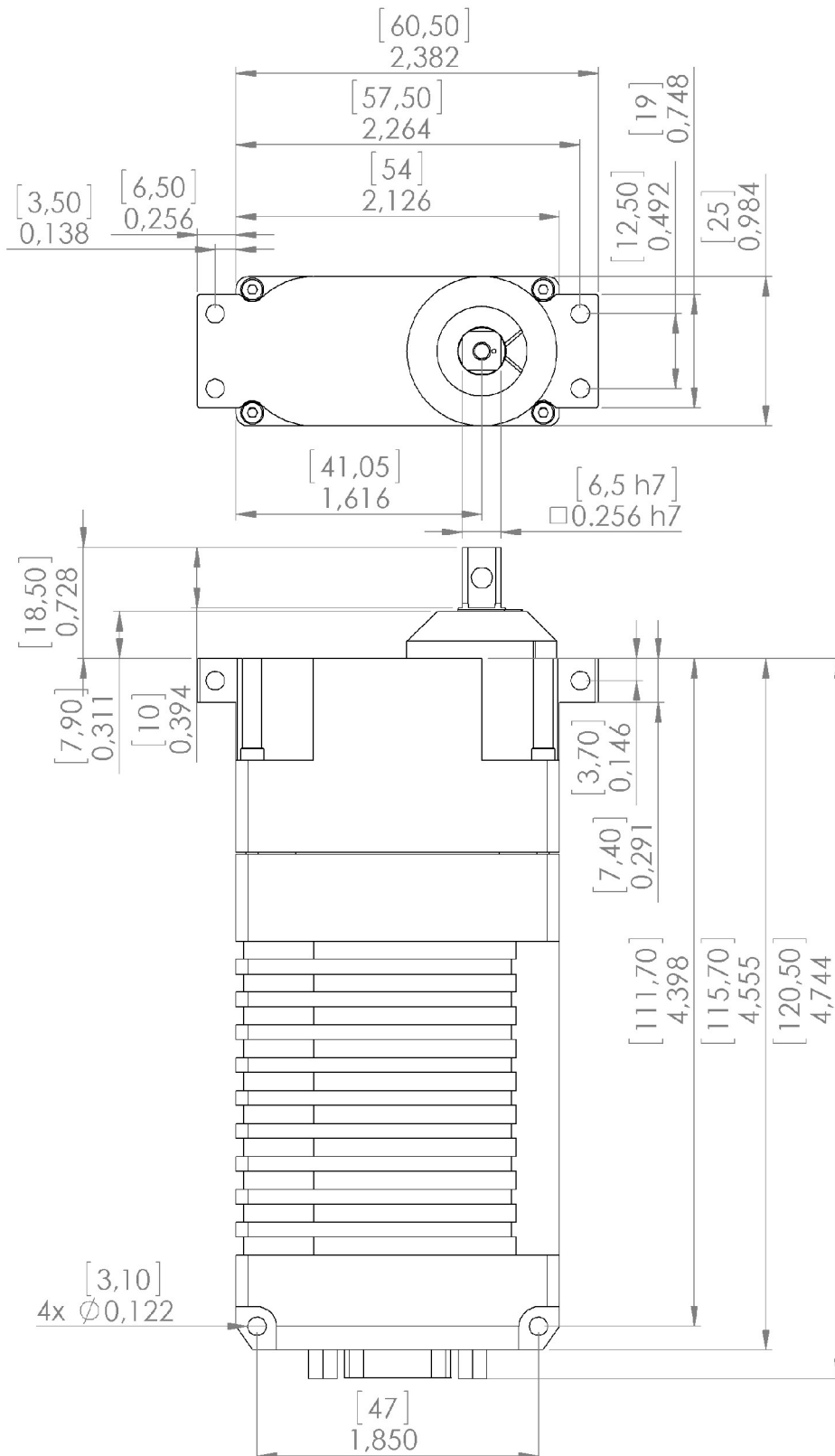
PA-R-250-9 servo-actuator



PA-R-250-9 series with D-Sub connector

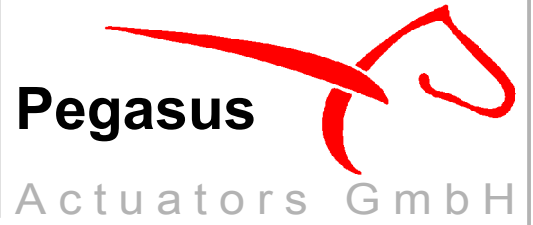
dimensions are in: $\frac{[mm]}{inch}$

dimensions not particulari specified are $\pm 0,1mm / 0,0039inch$



“tough tech for tough environments”

PA-R-250-9 servo-actuator



PA-R-250-9 series with Glenair Mighty Mouse 801 connector

dimensions are in: $\begin{matrix} \text{[mm]} \\ \text{inch} \end{matrix}$

dimensions not particulari specified are $\pm 0,1\text{mm} / 0,0039\text{inch}$

