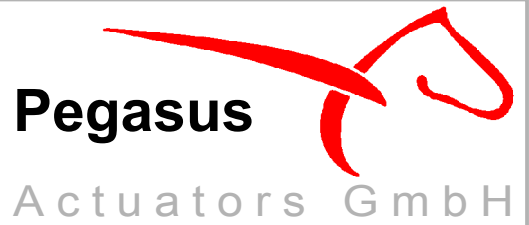


**“tough tech for tough environments”**

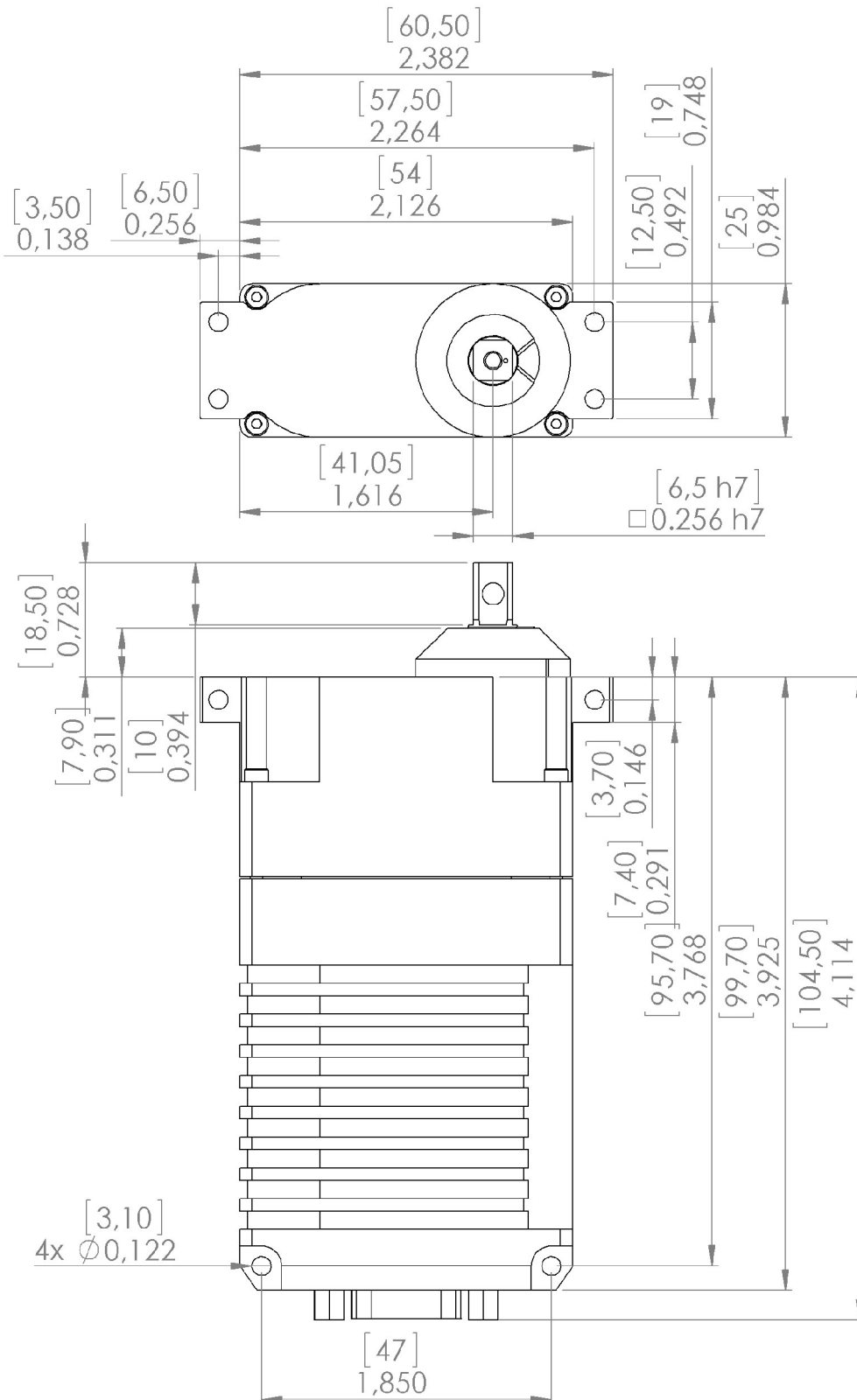
# PA-R-250-8 servo-actuator



## PA-R-250-8 series with D-Sub connector

dimensions are in:  $\begin{matrix} [\text{mm}] \\ \text{inch} \end{matrix}$

dimensions not particulari specified are  $\pm 0,1\text{mm} / 0,0039\text{inch}$



**“tough tech for tough environments“**

**Pegasus**

Actuators GmbH

## PA-R-250-8 servo-actuator

### PA-R-250-8 series with Glenair Mighty Mouse 801 connector

dimensions are in:  $\frac{[mm]}{[inch]}$

dimensions not particulari specified are  $\pm 0,1mm / 0,0039inch$

